

Punch Unit Type 1075  
(B531)

## **Punch Unit Type 1075 (B531)**

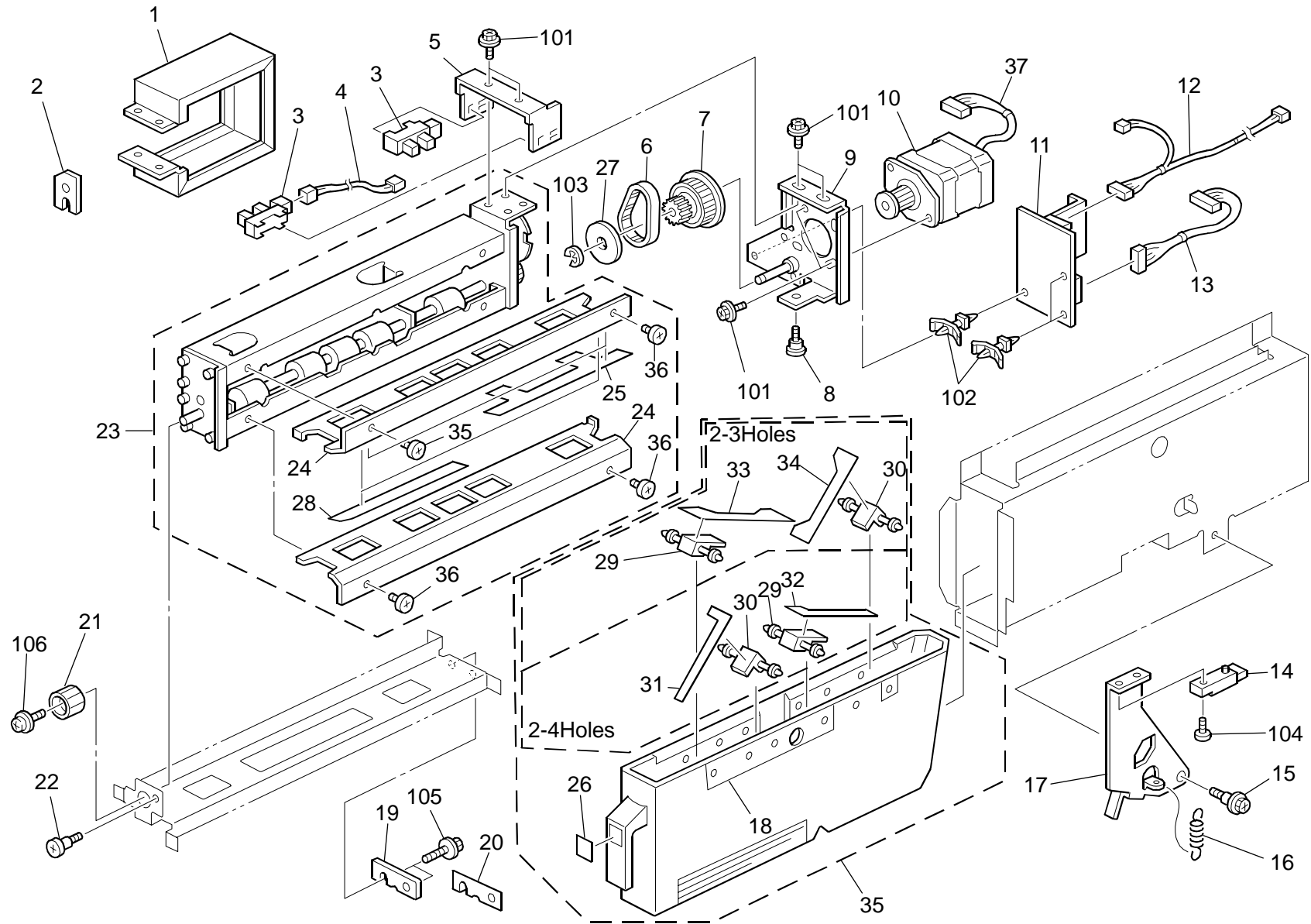
### **PARTS CATALOG**

This catalog gives the numbers and names of parts on this machine.

1.PUNCHI UNIT (B531).....	2
<b>PARTS INDEX.....</b>	<b>5</b>

**April ,8 ' 2005**

# 1.PUNCHI UNIT (B531)



## 1.PUNCHI UNIT (B531)

Index No.	Part No.	Description	Q'ty Per Assembly
1	A812 7131	Bracket:Guard	
2	A377 7165	Punch Lock Bracket	1
3	AW02 0075	Photointerruptor	2
4	B531 5220	Harness:Sensor:Punch:Home Position	1
5	B531 1115	Bracket:Sensor:Punch	1
6	A812 7126	Timing Belt - 166S2M	1
7	AB03 3061	Pulley - 50/15Z	1
8	A471 1085	Stepped Screw	1
9	B531 1110	Bracket:Punch:Drive:Ass'y	1
10	B531 1101	Stepper Motor: - DC6.25W	1
11	B531 5100	PCB:Punch	1
12	B531 5210	Harness:Sensor:Punch	1
13	B531 5200	Harness:PCB:Punch	1
14	AW01 0070	Photosensor - PS-R11D1-B	1
15	A697 1125	Stepped Screw - Lever	1
16	A812 7331	Lock Spring	1
17	A812 7323	Dust Hopper Stopper	1
18	B545 7211	Punch Hopper	1
19	A812 7411	Spacer - 2mm	1
20	A812 7412	Spacer - 1mm	1
21	A377 7161	Punch Knob	1
22	A471 1085	Stepped Screw	1
23	B531 3100	Punch Unit:2-3Hole:NA:Ass'y	1
23	B531 4100	Punch Unit:2-4Hole:EU:Ass'y	1
24	B531 3211	Guide Plate:Punch:2-3Hole:NA	1
24	B531 4210	Guide Plate:Punch:2-4Hole:EU	2
25	B531 3215	Film:Guide:Punch:2-3Hole:NA	2
26	A606 1885	Decal - Hopper	1
27	A812 7124	Positioning Screw	1
28	A812 7145	Film:Guide:Punch (2-4 Hole)	1
29	A812 7212	Pin - Front	1
30	A812 7213	Pin - Rear	1
31	A812 7214	Film - Front	1
32	A812 7215	Film - Rear	1
33	A812 7245	Film - Front	1

Index No.	Part No.	Description	Q'ty Per Assembly
34	A812 7246	Film - Rear	1
35	A812 7200	Dust Hopper (2-4 Hole)	1
35	A812 7240	Dust Hopper (2-3 Hole)	1
36	5875 2088	Shoulder Screw - M4	4
37	B531 5230	Harness:Motor:Punch	1
101	0451 4006B	Tapping Screw - 4x6	
102	1105 0161	Locking Support	
103	0720 0060E	Retaining Ring - M6	
104	0353 0100B	Screw:M3x10	
105	0451 4010B	Tapping Screw - 4x10	
106	0951 4006W	Philips Screw With Flat Washer-M4x6	

# Parts Index

## Parts Index

Part No.	Description	Page and Index No.
B531 1101	Stepper Motor: - DC6.25W	3 - 10
B531 1110	Bracket:Punch:Drive:Ass'y	3 - 9
B531 1115	Bracket:Sensor:Punch	3 - 5
B531 3100	Punch Unit:2-3Hole:NA:Ass'y	3 - 23
B531 3211	Guide Plate:Punch:2-3Hole:NA	3 - 24
B531 3215	Film:Guide:Punch:2-3Hole:NA	3 - 25
B531 4100	Punch Unit:2-4Hole:EU:Ass'y	3 - 23
B531 4210	Guide Plate:Punch:2-4Hole:EU	3 - 24
B531 5100	PCB:Punch	3 - 11
B531 5200	Harness:PCB:Punch	3 - 13
B531 5210	Harness:Sensor:Punch	3 - 12
B531 5220	Harness:Sensor:Punch:Home Position	3 - 4
B531 5230	Harness:Motor:Punch	3 - 37

Part No.	Description	Page and Index No.
A377 7161	Punch Knob	3 - 21
A377 7165	Punch Lock Bracket	3 - 2
A471 1085	Stepped Screw	3 - 8
A471 1085	Stepped Screw	3 - 22
A606 1885	Decal - Hopper	3 - 26
A697 1125	Stepped Screw - Lever	3 - 15
A812 7124	Positioning Screw	3 - 27
A812 7126	Timing Belt - 166S2M	3 - 6
A812 7131	Bracket:Guard	3 - 1
A812 7145	Film:Guide:Punch (2-4 Hole)	3 - 28
A812 7200	Dust Hopper (2-4 Hole)	3 - 35
A812 7212	Pin - Front	3 - 29
A812 7213	Pin - Rear	3 - 30
A812 7214	Film - Front	3 - 31
A812 7215	Film - Rear	3 - 32
A812 7240	Dust Hopper (2-3 Hole)	3 - 35
A812 7245	Film - Front	3 - 33
A812 7246	Film - Rear	3 - 34
A812 7323	Dust Hopper Stopper	3 - 17
A812 7331	Lock Spring	3 - 16
A812 7411	Spacer - 2mm	3 - 19
A812 7412	Spacer - 1mm	3 - 20
B545 7211	Punch Hopper	3 - 18

Part No.	Description	Page and Index No.
AB03 3061	Pulley - 50/15Z	3 - 7
AW01 0070	Photosensor - PS-R11D1-B	3 - 14
AW02 0075	Photointerruptor	3 - 3

Part No.	Description	Page and Index No.
0353 0100B	Screw:M3x10	3 -104
0451 4006B	Tapping Screw - 4x6	3 -101
0451 4010B	Tapping Screw - 4x10	3 -105
0720 0060E	Retaining Ring - M6	3 -103
0951 4006W	Philips Screw With Flat Washer-M4x6	3 -106
1105 0159	PCB Stud	3 -102

Part No.	Description	Page and Index No.
5875 2088	Shoulder Screw - M4	3 - 36

Part No.	Description	Page and Index No.